

## A Full-Service E-Coil Solution Delivers Significant Savings to Clients

### Features:

- Similar functionality to a standard cable head adapter
- Well-control – dual check valves
- Detach tools from a lodged coiled tubing string using the drop ball activated disconnect
- Compatible with all downhole tools
- Durable in varying environments, including high temperatures

### Benefits:

- Time savings:
  - No re-heading of tools required
  - Reduces installation time
- Cost savings:
  - Eliminates the need for a third-party vendor

### Specifications:

- Max temperature: 200°C (392°F)
- Max pressure: 80 MPa (12,000 psi)
- Max tension: 20,000 daN (45,000 lbf)
- Max voltage: 600 VDC
- Max current: 7A
- Release pressure: 7, 14, 21 Mpa (1000, 2000, 3000 psi)

To provide operators with a full-service solution, STEP offers GO Pin Adapter cable heads as a part of our STEP-IQ™ suite of products and services. When combined with STEP's e-coil, the GO Pin Adapter provides the same functionality as a traditional cable head with the additional benefit of seamlessly switching downhole tools without performing multiple tool trips. The GO Pin Adapter easily links to STEP-connect™, enabling clients to utilize various downhole tools, including imaging, logging, dark vision, and perforating.

By using STEP's GO Pin Adapter, the requirement for a third-party vendor on location is eliminated, which allows operators to reduce manpower and equipment on site. STEP's team of experienced professionals are well-trained and will provide installation of, and on-going support services for the cable head solution. The GO Pin Adapter provides clients with a complete e-coil service package that delivers significant cost-saving and operational efficiencies.

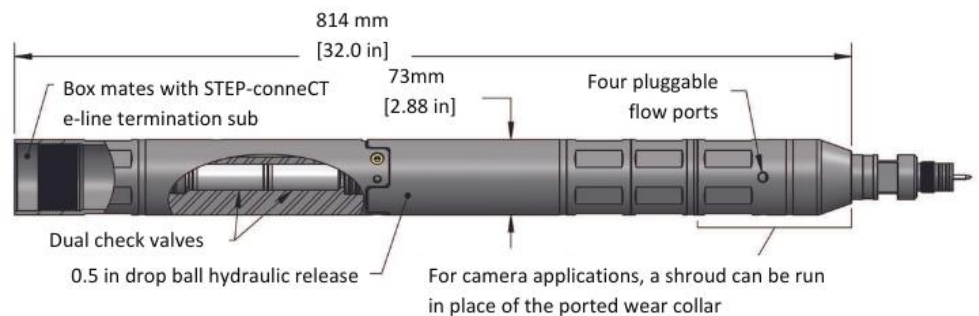
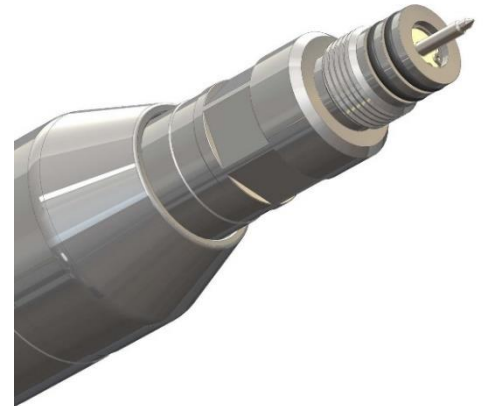


Figure: GO Pin Adapter's features and specifications